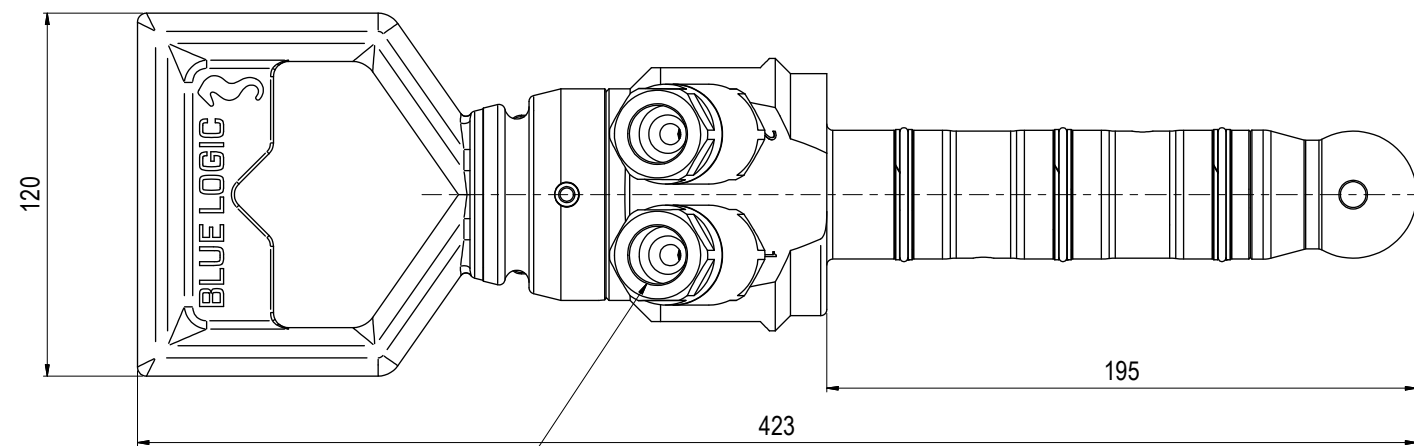
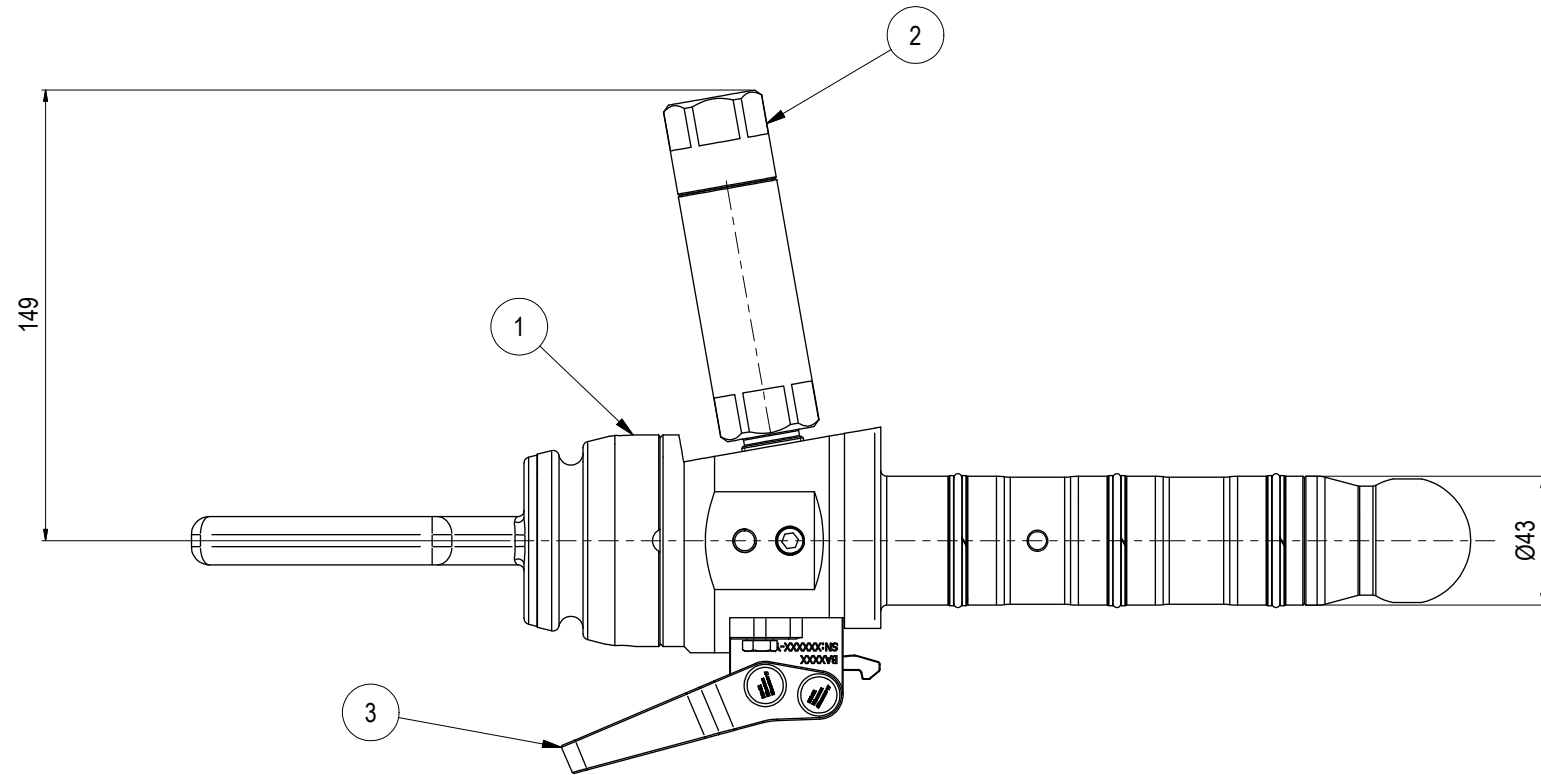
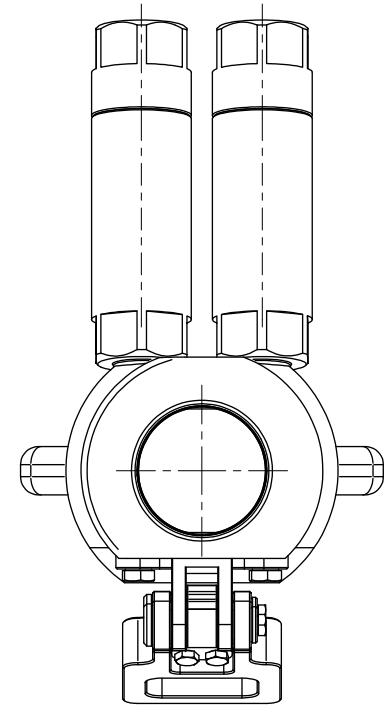
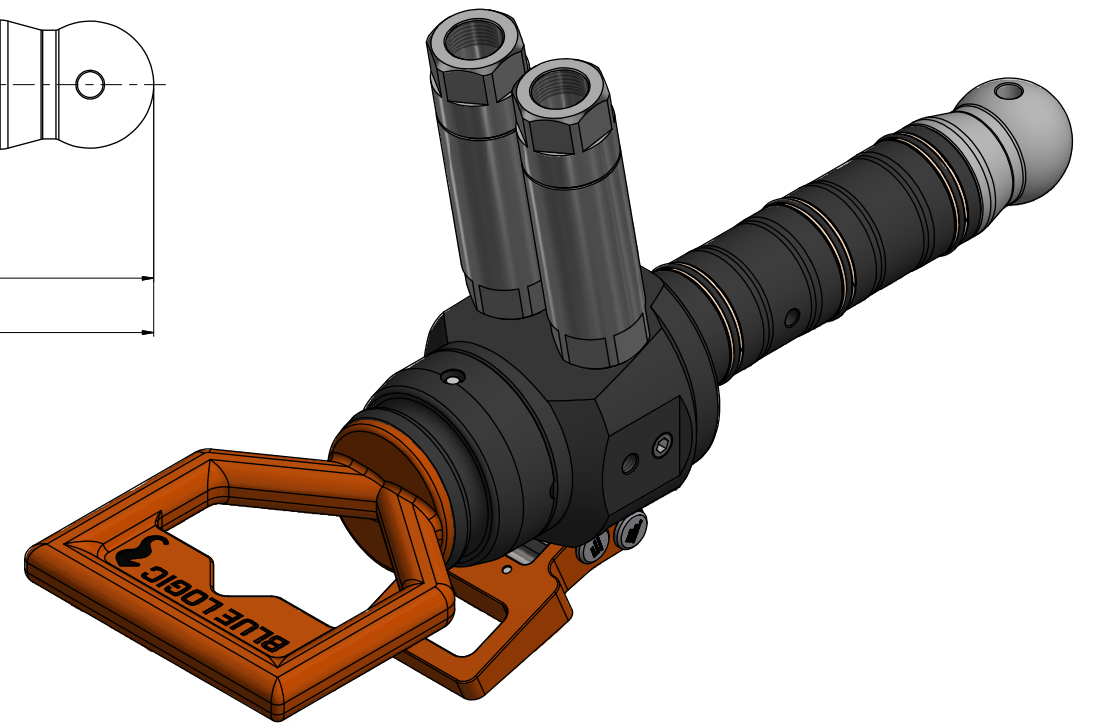


Parts List				
ITEM	QTY	PART No.	DESCRIPTION	MATERIAL
1	1	BB5343	Ø43 DP Stab 20k Long-term MP 9/16"	Super Duplex
2	2	BB4956	2-Way Check Valve 20k Long-term MP 9/16"- 2,0-0,5 Bar FM-M	Super Duplex/Inconel
3	1	BA2421	Lock for Stab Long-term	Super Duplex



MP 9/16" Interface



NOTE: 1
STANDARDS:
API 17H Type 1
API 6A

NOTE: 2
INTERFACE INFORMATION:
Hydraulic: MP 9/16"
Mechanical: N/A
Electrical: N/A
Data Com.: N/A

NOTE: 4
PROPERTIES:
Material Class: N/A
Temperature Class: N/A
Rated Work Press Bar: 1380
Test Pressure: N/A
Specification Level: N/A
Flow Rate: N/A
Qualification: N/A
Application: N/A
Load Rating: N/A
Torque Rating: N/A
Design Water Depth: 3000m
Weight in Air: 7 kg
Volume: 1,02 dm³
Submerged Weight: 5,99 kg

Rev.	Date	Reason for issue	Revision change	Made	Chk'd	Appr.
01	4.2.2025	9-IFU (Issued for Use)		HNJ	TAN	HNJ

BLUE LOGIC

This Drawing is the Property of Blue Logic AS © and must Not be Loaned, Reproduced or Transferred to others without written Permission

Dwg Scale:	NTS
Dwg Proj:	
Dwg Format:	A3

Drawing title:	Ø43 DP Stab 20k Long-term wCV WL MP 9/16"	
Drawing number:	BC2399	Rev: 01